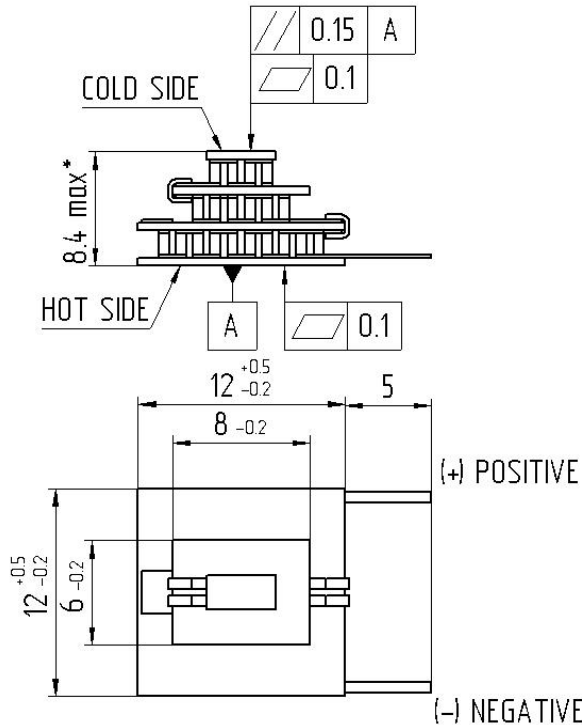
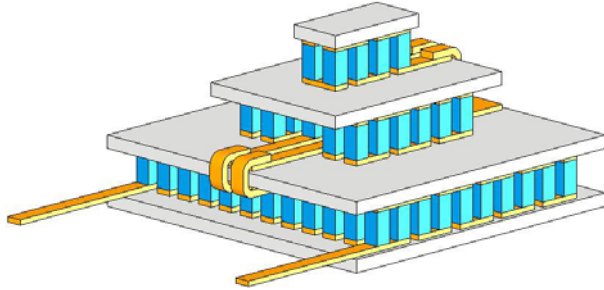


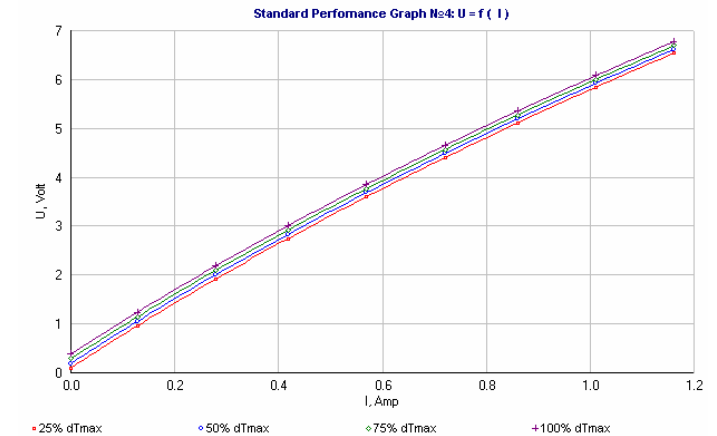
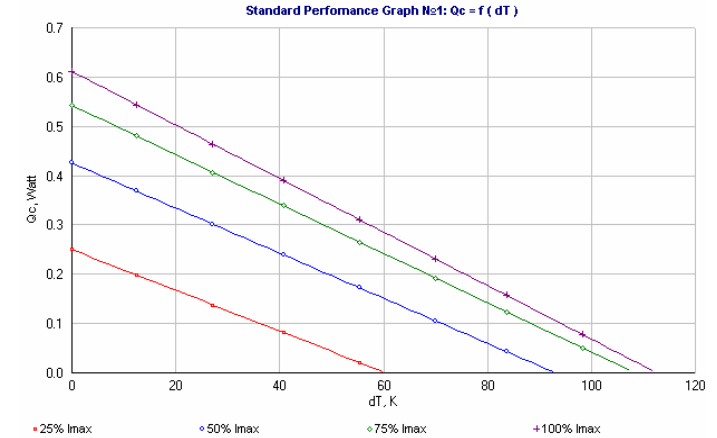
SPECIFICATION OF THERMOELECTRIC MODULE TB-3-(59-17-4)-1.2


Thermoelectric parameters	Unit	Value
I_{max}	Amps	1.2
U_{max}	Volts	6.8
ΔT_{max}	K	113
Q_{max}	Watts	0.6
Tolerance	%	±10

All parameters except R_{ac} are given at Th=300 K

Assembly parameters	Unit	Value
Wires	-	-
Cross section	mm²	-
Metallization	-	Not
Sealing	-	Not
Internal solder	°C	139
Brazing solder	°C	not

Operation parameters	Unit	Value
Working temperature range	°C	-50 ÷ +80
Max. processing temperature	°C	120
ROHS compliance	-	YES



*Tolerance of the TEC's height for a lot is ±0.35 mm