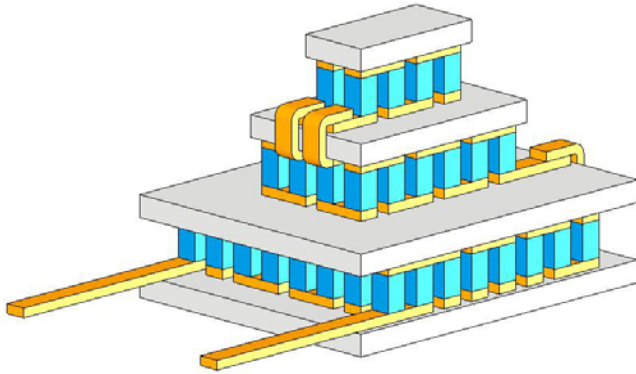
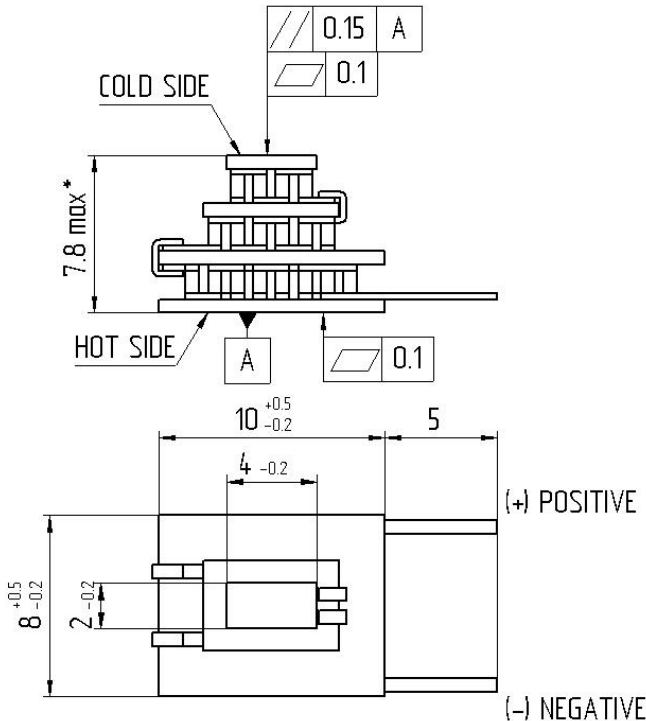
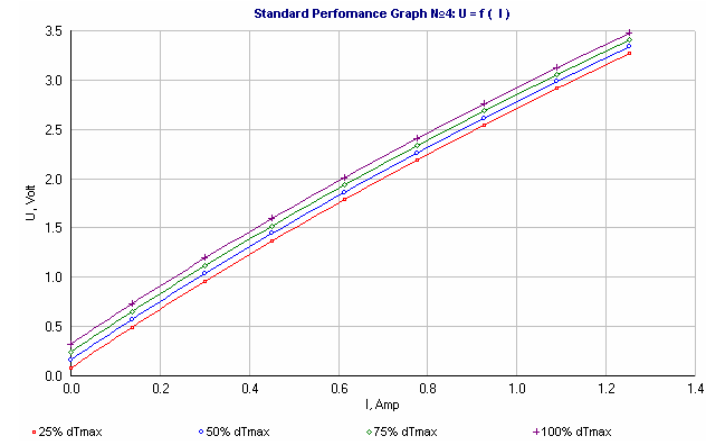
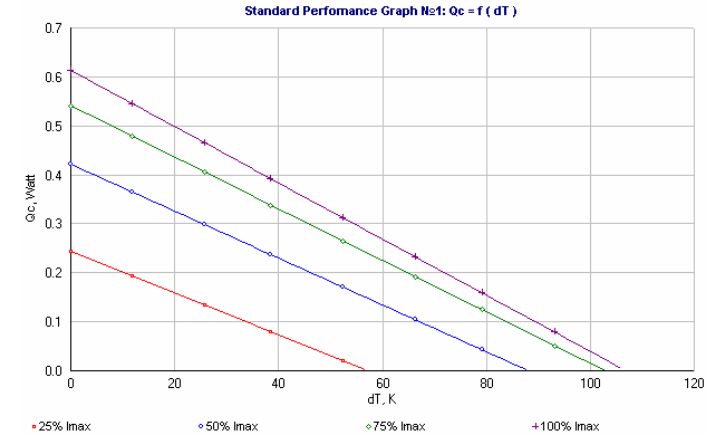


**SPECIFICATION OF THERMOELECTRIC MODULE TB-3-(31-11-4)-1.0**


<i>Thermoelectric parameters</i>	<i>Unit</i>	<i>Value</i>
<b>I<sub>max</sub></b>	<b>Amps</b>	<b>1.3</b>
<b>U<sub>max</sub></b>	<b>Volts</b>	<b>3.5</b>
<b>ΔT<sub>max</sub></b>	<b>K</b>	<b>107</b>
<b>Q<sub>max</sub></b>	<b>Watts</b>	<b>0.6</b>
<b>Tolerance</b>	<b>%</b>	<b>±10</b>
<i>All parameters except R<sub>ac</sub> are given at Th=300 K</i>		

<i>Assembly parameters</i>	<i>Unit</i>	<i>Value</i>
<b>Wires</b>		-
<b>Cross section</b>	<b>mm<sup>2</sup></b>	-
<b>Metallization</b>		<b>Not</b>
<b>Sealing</b>		<b>Not</b>
<b>Internal solder</b>	<b>°C</b>	<b>139</b>
<b>Brazing solder</b>	<b>°C</b>	<b>not</b>

<i>Operation parameters</i>	<i>Unit</i>	<i>Value</i>
<b>Working temperature range</b>	<b>°C</b>	<b>-50 ÷ +80</b>
<b>Max. processing temperature</b>	<b>°C</b>	<b>120</b>
<b>ROHS compliance</b>		<b>YES</b>



\*Tolerance of the TEC's height for a lot is ±0.35 mm