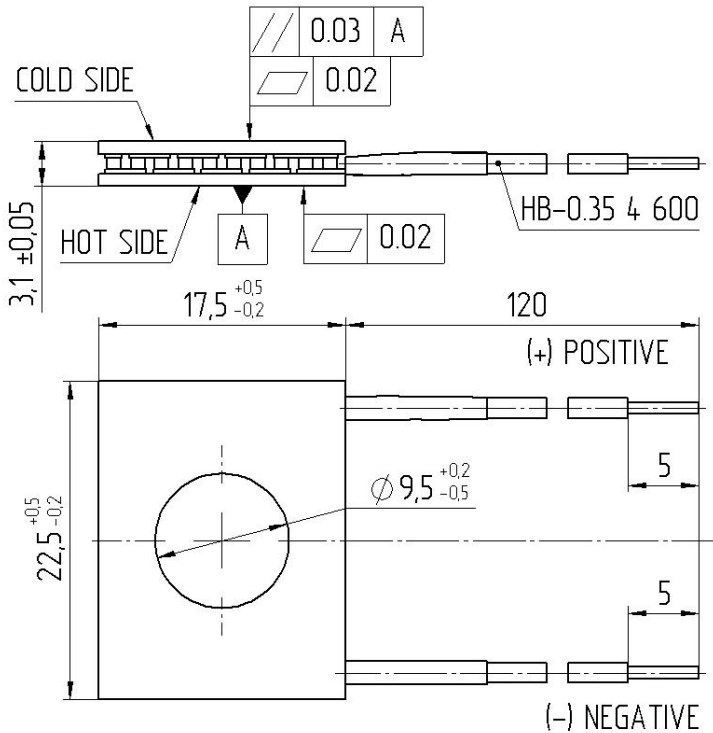
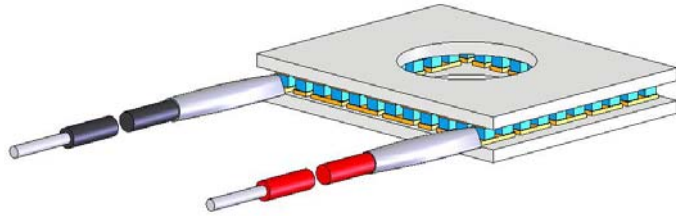


SPECIFICATION OF THERMOELECTRIC MODULE TB-41-1.0-0.8CH


Thermoelectric parameters	Unit	Value
I_{max}	Amps	5.7
U_{max}	Volts	5.0
ΔT_{max}	K	68
Q_{max}	Watts	17.7
R_{ac} (at 295 K)	Ohm	0.67
Tolerance	%	±10

All parameters except R_{ac} are given at Th=300 K

Assembly parameters	Unit	Value
Wires	HB-0.35 4 600	
Cross section	mm²	0.35
Metallization	Not	
Sealing	Not	
Internal solder	°C	139
Brazing solder	°C	Not

Operation parameters	Unit	Value
Working temperature range	°C	-50 ÷ +80
Max. processing temperature	°C	120
ROHS compliance		YES

